



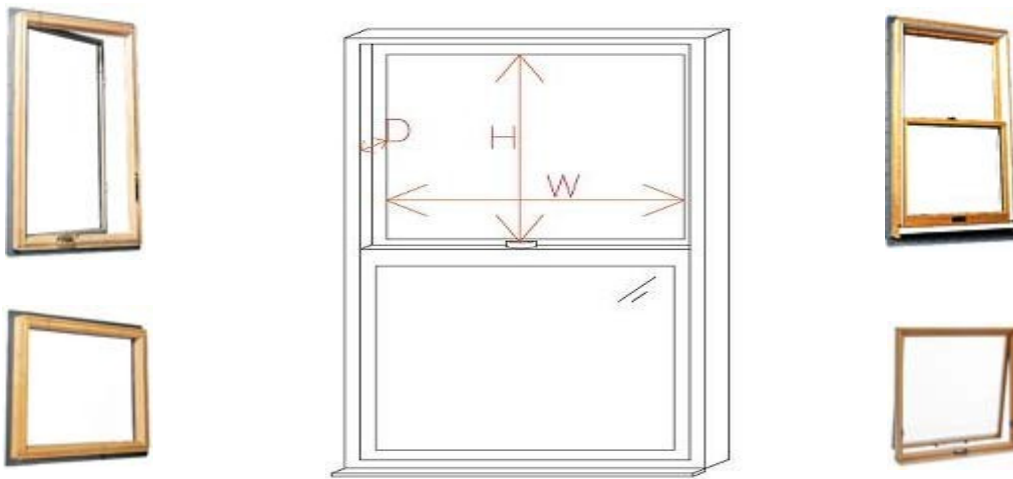
Solar Air Heating Panel - Custom Made Panels

Custom Made Panels (CMSH) can be ordered to your specific sizes, giving you more flexibility in your heating needs.

When you provide the measurements of your window space (height + width + depth), U.S. Solar Heating engineers will design and construct the panel made specifically for you.

CMSH for Windows (Awning, Casement, Double Hung, Picture)

The unit is designed to fit within the window frame, above the sliding glass. They can be made to fit almost any window application.



CMSH for Bay Windows

The unit is designed to fit within the window frame itself, and is hung using hooks above the frame. The recommended minimum length is 24', but the homeowner can decide to use the entire length of the frame, if they desire.

